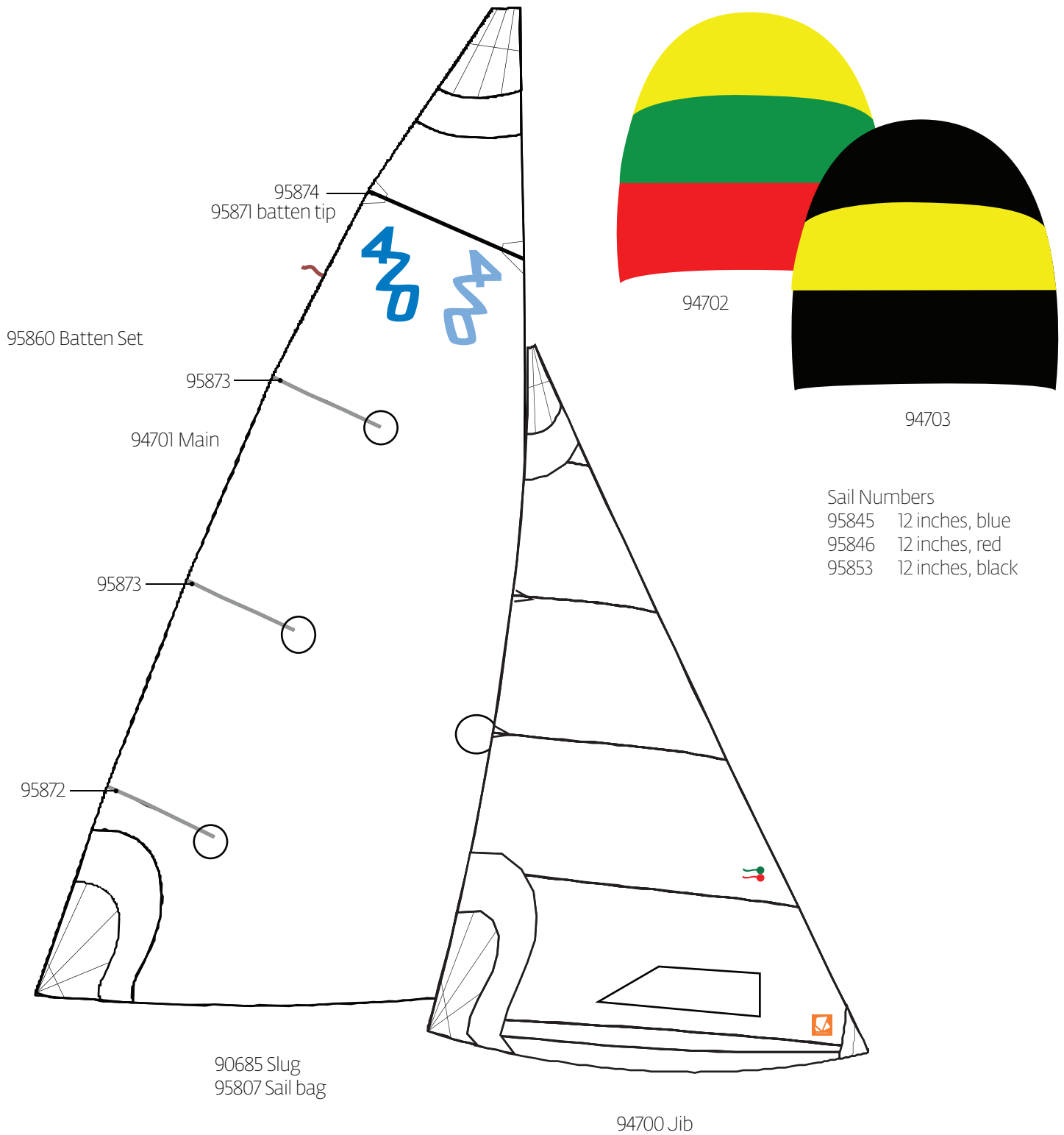


# C420 Parts Locator

# C420 Sails



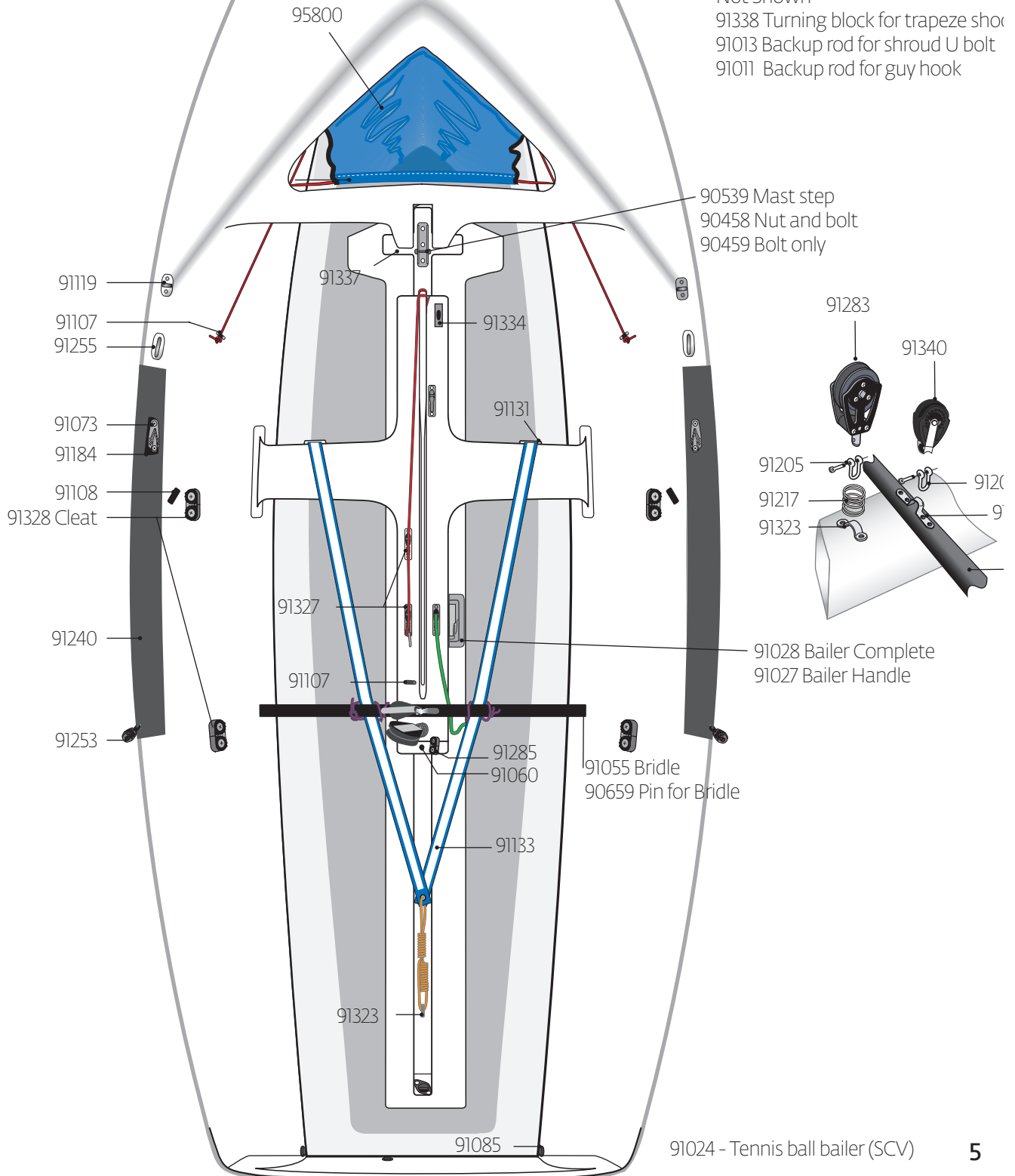
# C420 Hull

91047 Molded Bow bumper - JRV  
 91000 Molded Bow bumper - College Style

91001 JRV Rubrail, 30ft pre-cut  
 91002 Heavy Duty Rubrail, 32 ft pre-cut

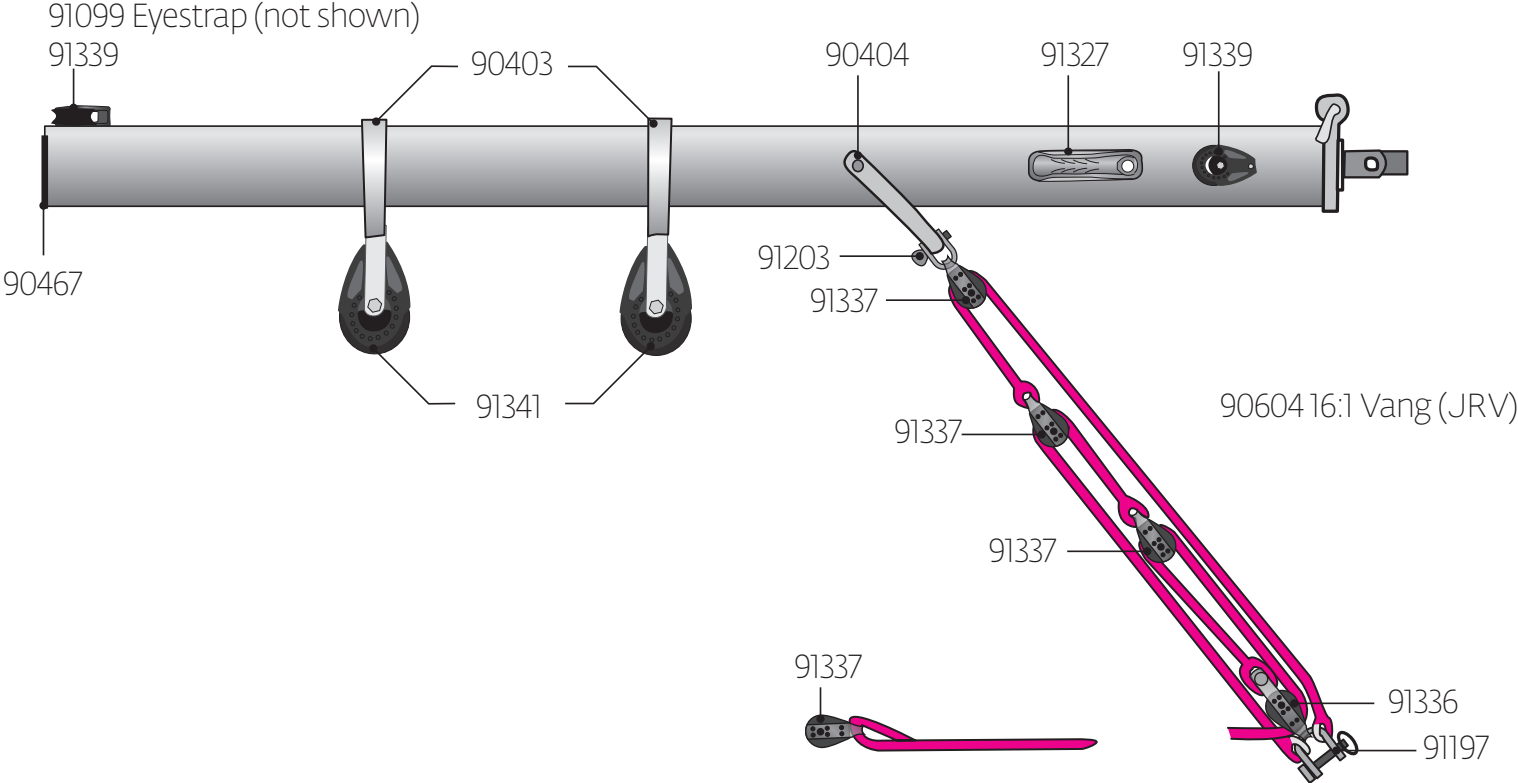
91198  
 91404  
 91076 Pin and ring  
 91166 Fast Pin  
 91077

Not Shown  
 91338 Turning block for trapeze shou  
 91013 Backup rod for shroud U bolt  
 91011 Backup rod for guy hook

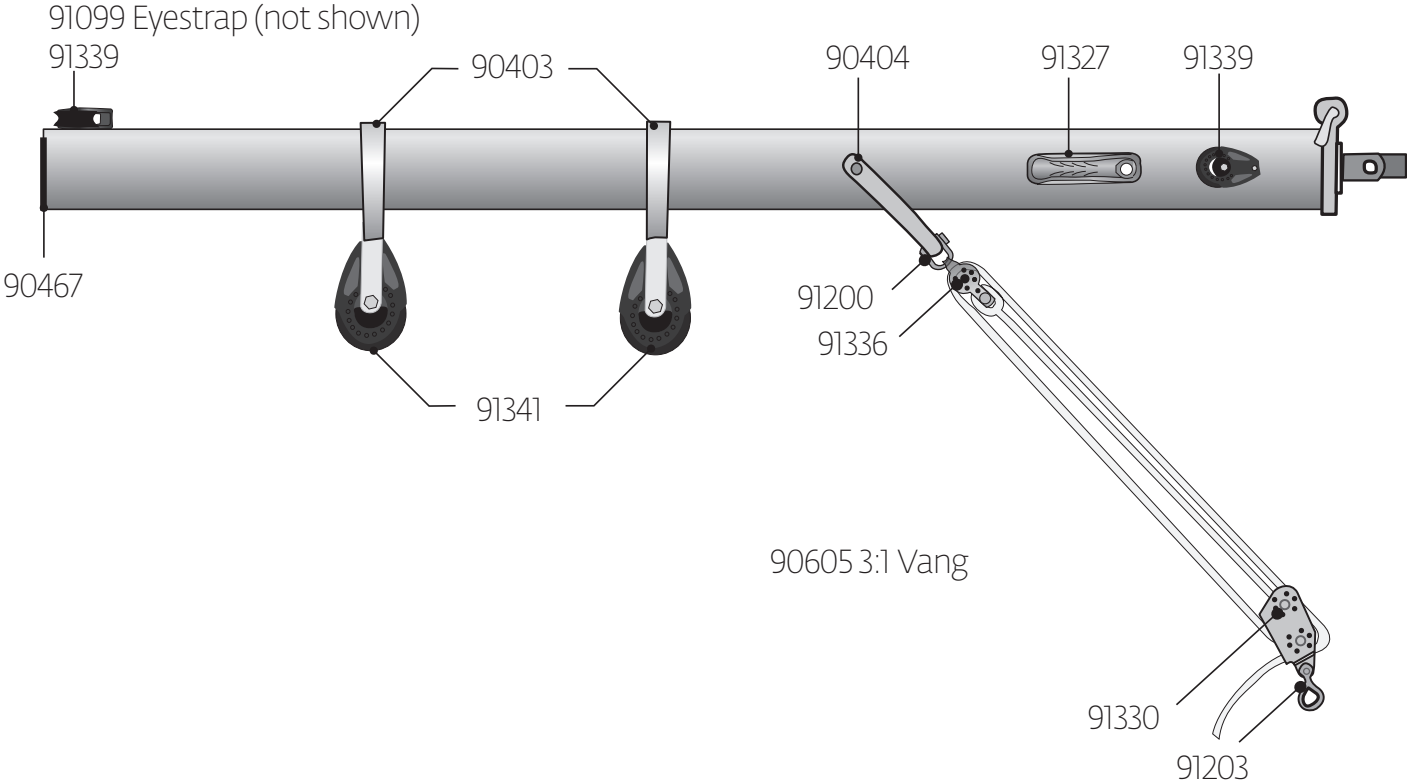


# C420 Booms

17650 Club 420 Complete Boom



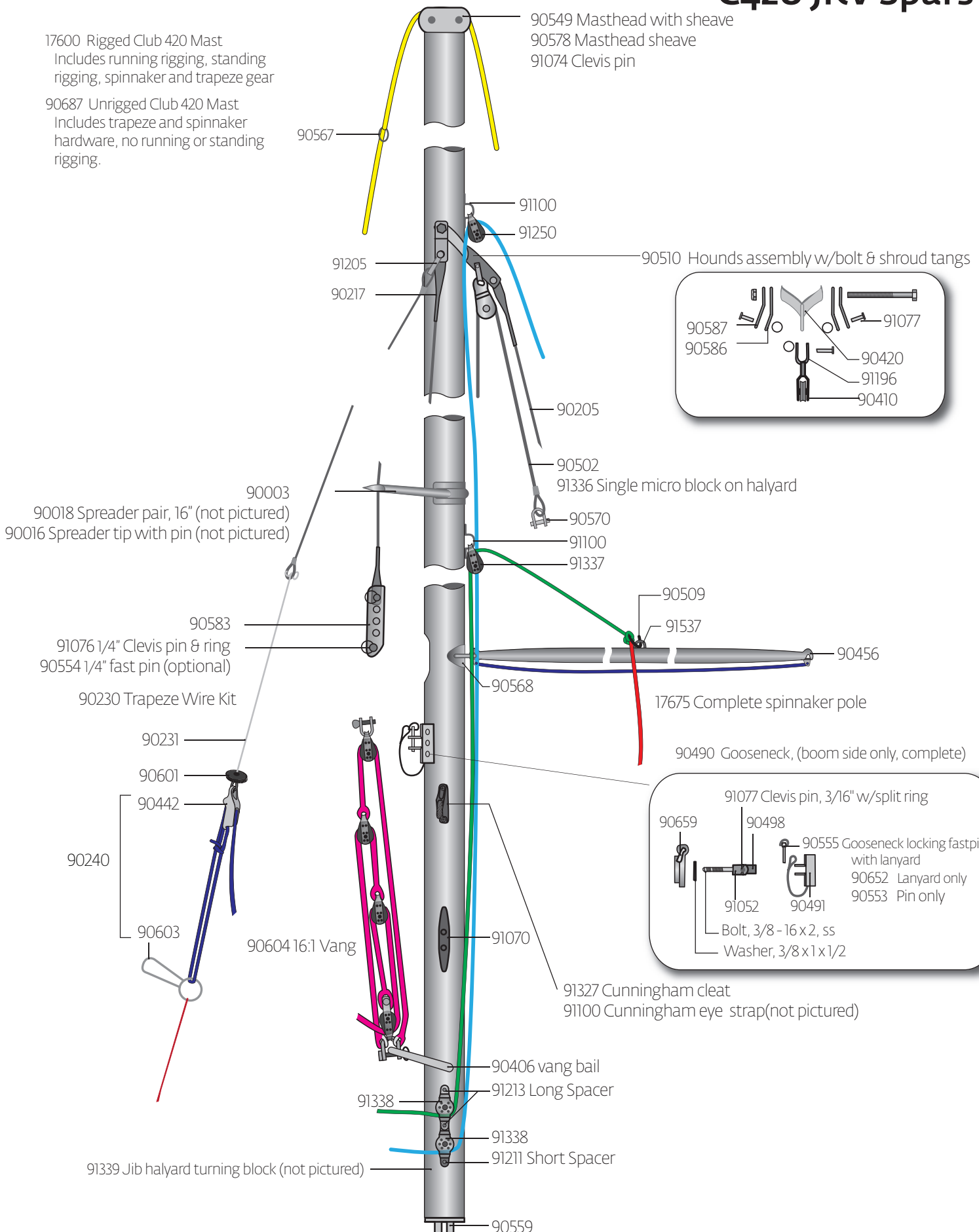
17651 Collegiate 420 Complete Boom



# C420 JRV Spars

17600 Rigged Club 420 Mast  
Includes running rigging, standing rigging, spinnaker and trapeze gear

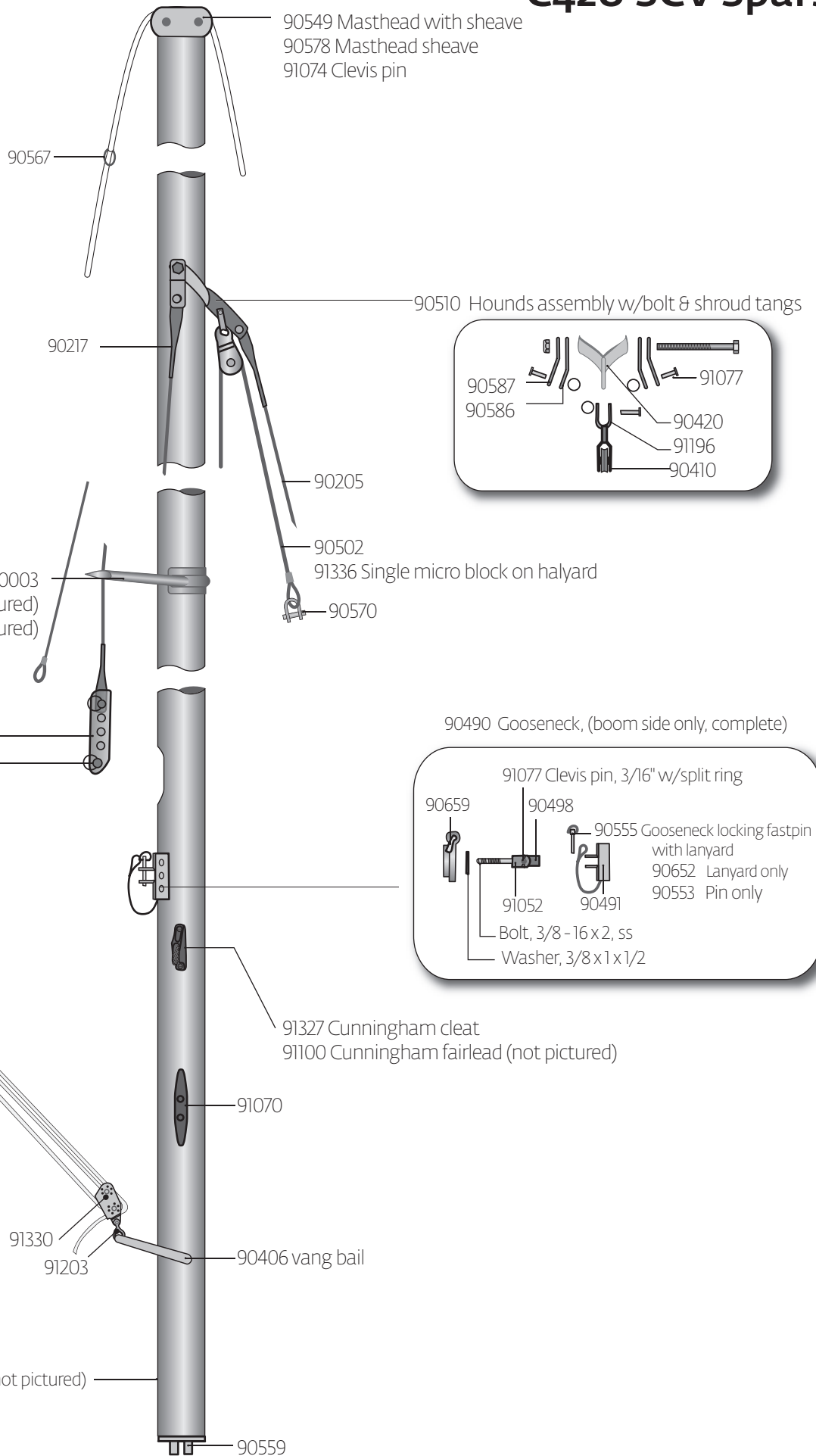
90687 Unrigged Club 420 Mast  
Includes trapeze and spinnaker hardware, no running or standing rigging.



# C420 SCV Spars

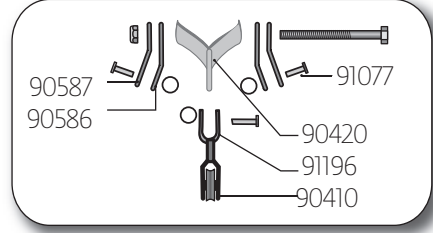
17601 Rigged Collegiate 420 Mast  
Includes running and standing rigging

89038 Unrigged SCV420 Mast  
No running or standing rigging.



90549 Masthead with sheave  
90578 Masthead sheave  
91074 Clevis pin

90510 Hounds assembly w/bolt & shroud tangs



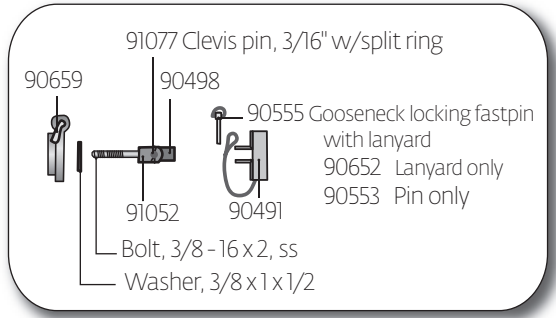
90003  
90018 Spreader pair, 16" (not pictured)  
90016 Spreader tip with pin (not pictured)

91336 Single micro block on halyard

90570

90583  
91076 1/4" Clevis pin & ring  
90554 1/4" fast pin (optional)

90490 Gooseneck, (boom side only, complete)



91327 Cunningham cleat  
91100 Cunningham fairlead (not pictured)

91200  
91336  
90605 3:1 Vang

91330  
91203  
90406 vang bail

91339 Jib halyard turning block (not pictured)

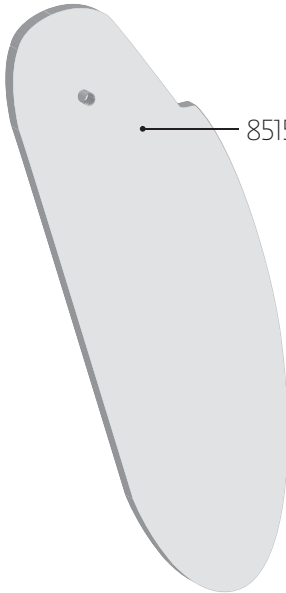
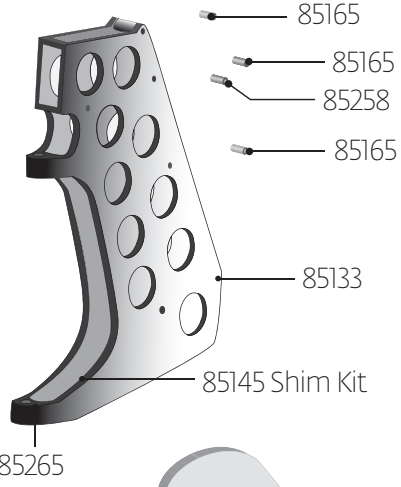
90559

# C420 Blades

85206 Rigged JRV tiller with extension  
 85298 Rigged SCV tiller with extension

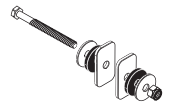


85150 Complete Rudder

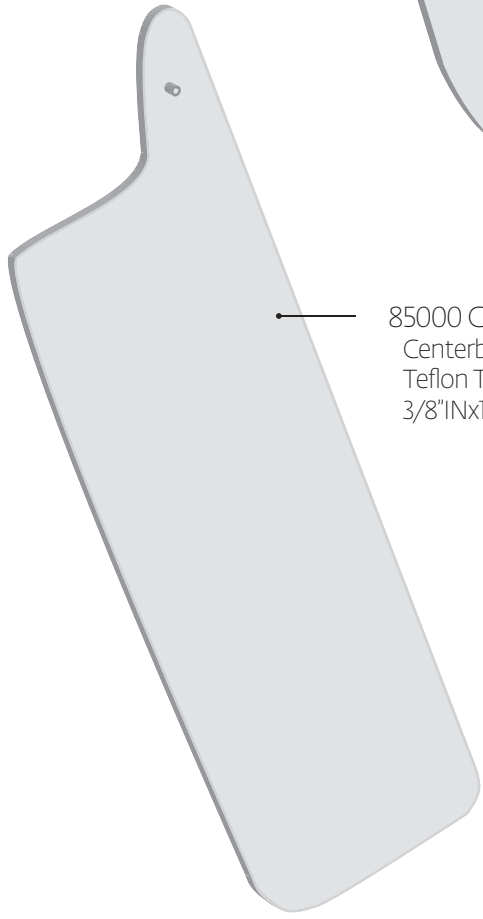


Rudder Bushing:  
 Teflon Tube  
 3/8"INx1/2"ODx7/8"

85016 Centerboard pivot bolt assembly



85296 Rubber washer  
 85297 Pivot plate





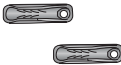


85000 Centerboard  
 Centerboard Bushing:  
 Teflon Tube  
 3/8"INx1/2"ODx7/8"

Centerboard Gaskets  
 85041 Gasket end  
 85045 Gasket, 47.5in x 1.25in  
 85038 Gasket fasteners  
 85031 Gasket retainer  
 85046 Gasket for recessed gaskets (SCV)

# C420 Retrofit Kit

To convert your Schoolastic/Collegiate 420 to a Junior Race Version 420 you will need the following items:

	91250 x1		90231 x2 Trapeze wires with adjusters
	91253 x2		
	91327 x1		Topping lift w/hook x1 90509 x1 Hook, topping lift
	91107 x2		
	91285 x1		Foreguy x1 9 feet of 5mm shockcord
	90568 x1		Spinnaker sheets x2 36 feet of 5mm dyneema Spinnaker halard x1 38 feet of 4mm sprinline
	91060 x2		91240 x1
	91338 x2		
	91137 x2		17675 x1 Spinnaker pole
	91100 x2		
	91073		95800 SPinnaker Bag
	91184		
	91119		



LaserPerformance NORTH AMERICA  
300 Highpoint Avenue  
Portsmouth, Rhode Island 02871  
USA  
t +1 800 966 SAIL  
f +1 401 683 0990

LaserPerformance EUROPE  
Station Works, Long Buckby  
Northamptonshire NN6 7PF  
United Kingdom  
t +44 (0) 1327 841600  
f +44 (0) 1327 841601

LaserPerformance ASIA  
Room 3415  
China Merchants Tower  
Shun Tak Centre  
No. 168-200 Connaught Road Central  
Hong Kong  
t +852 2902 2818  
f +852 2587 7868

LaserPerformance MIDDLE EAST  
Dubai Investment Park  
po box 38442  
Dubai, UAE  
t +9714 885 7601

[LASERPERFORMANCE.COM](http://LASERPERFORMANCE.COM)

All rights reserved. ©2010 LaserPerformance. LaserPerformance and associated logos are trademarks. Laser, SB3, Sunfish, and Dart are trademarks used under license. LaserPerformance reserves the right to make design and/or specification changes to any of their products as part of their continuous development program.